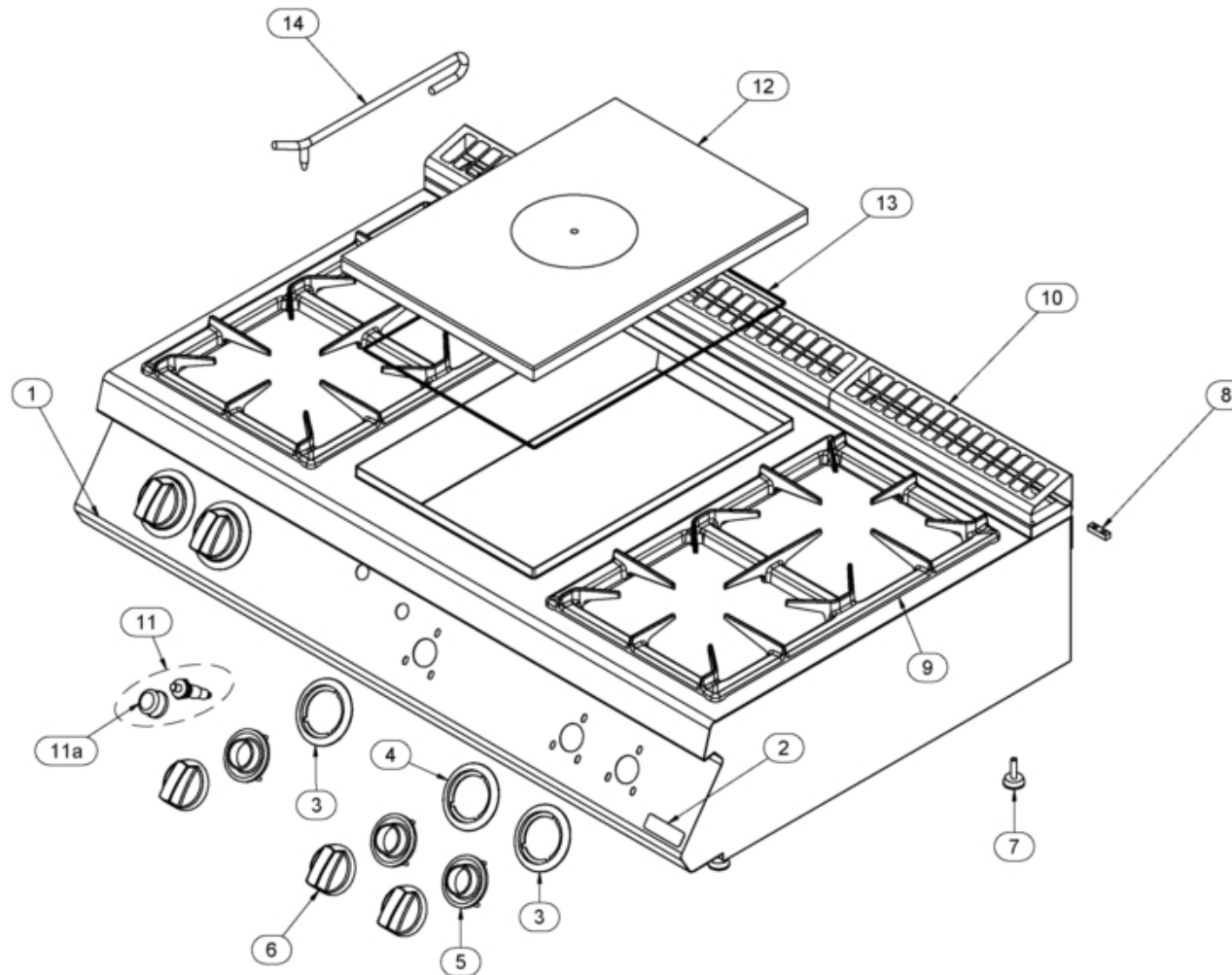


Mod./Type: 70/... TPCGB...

/

cod./num. 2532075.00

data/date: 20/03/2015





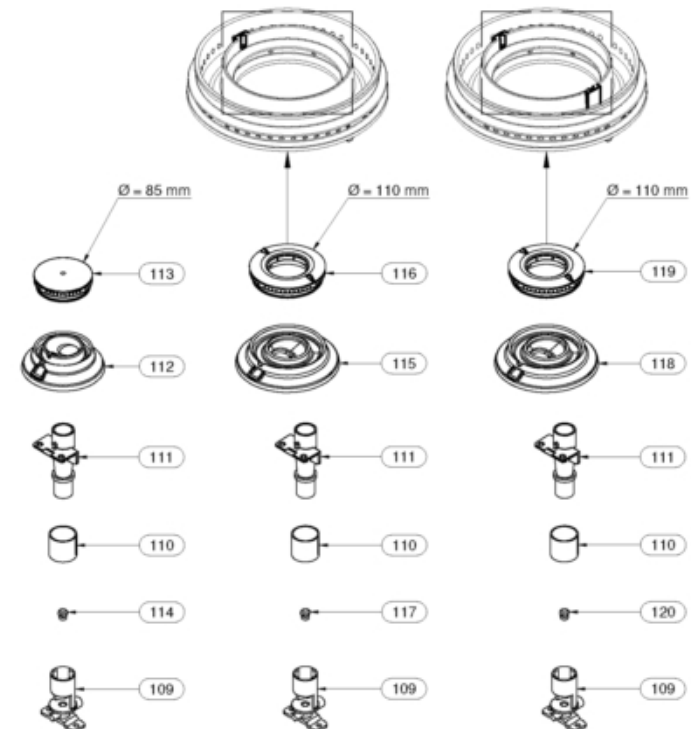
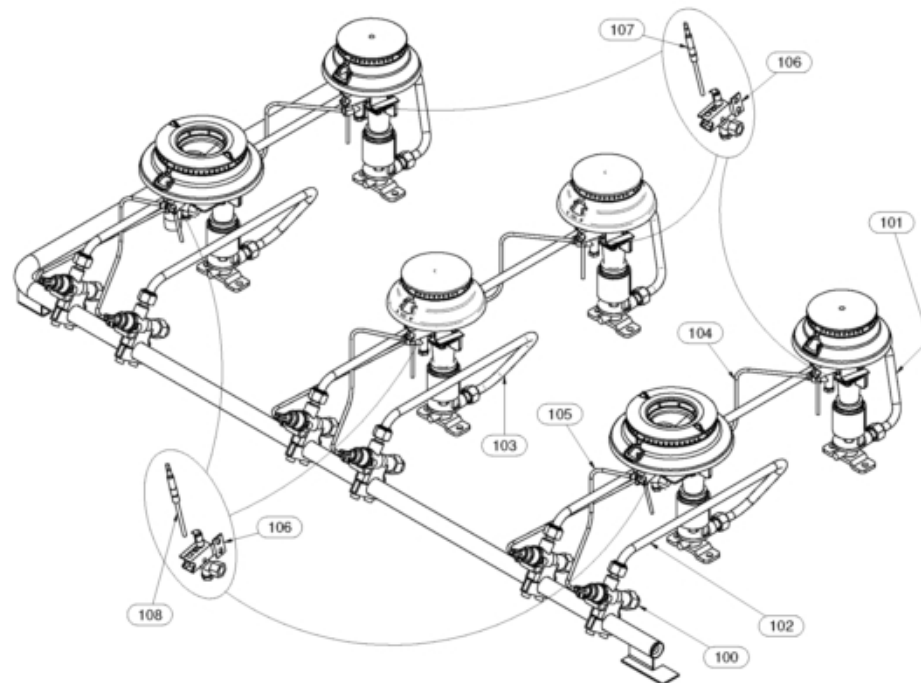
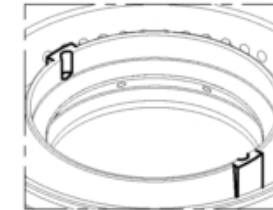
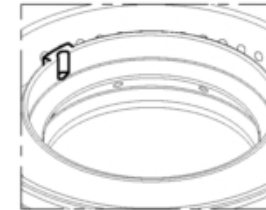
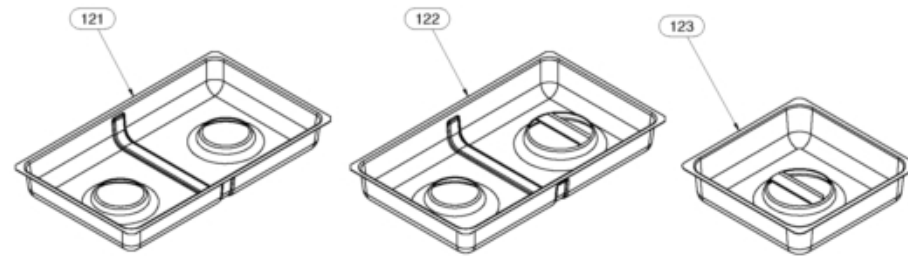
## VUE ÉCLATÉE EXTÉRIEUR TOP

Pos.	Réf.	Description	De	À
0001	9111660.00	ASS.CRUSCOTTO 120 TPPCG2 VS		
0002	682.008.00	MODULAR LOGO 70X22	01/01/2014	11/05/2015
0002	682.008.13	MARCHIO "modular" 70x22 AL. RAL2002	12/05/2015	
0003	910.163.00	SCREEN PRINT		
0004	910.164.00	SERIGR. RING GAS FAUCET PILOT POST		
0005	256.218.00	LABYRINTH BLACK KNOB		
0006	951.072.00	POIGNÉE DE GAZ Ø8 ANOD.PK		
0007	951.083.00	PIEDINO D25 M8 H(FILETTO) 54		
0008	941.130.00	PIASTRINA GIUNZIONE POST.APP.EM		
0009	681.008.14	RING GRILL D.175		
0010	9211777.14	GRIGLIA CAMINO PK		
0011	912.091.00	ASS.ELECTRIC PIEZO		
0012	681.085.00	PLATE TPPCFG 70/80		
0013	953.004.00	CORDA FIBRAVETRO 12X12 TPG 900		
0014	683.028.00	T.P.VGC008 CENTRAL DISC HOOK		
011a	951.047.00	PIEZO CAP		

Mod./Type: 70/... PCGB... - CFG...B... - TP...G...B...  
90/... PCGB... - CFG...B... - TP...G...B...

cod./num. 2531873.00

data/date: 06/11/2014





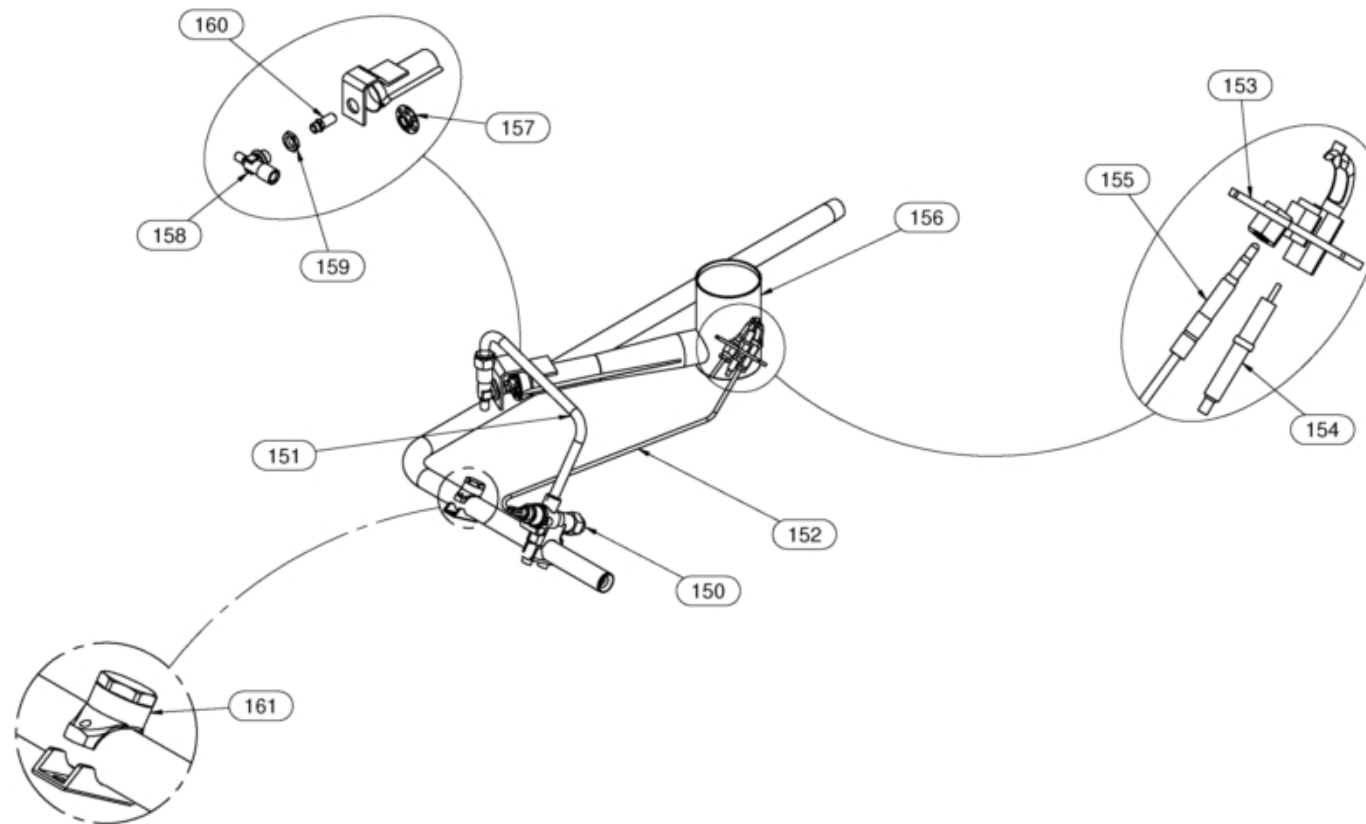
## VUE ÉCLATÉE TOP

Pos.	Réf.	Description	De	À
0100	671.088.00	GAS COCK/SAFETY SC PEL 21S C/C		
0101	256.381.00	KIT COND. BRUC.POST. CUC. 70 VS+D+B		
0102	256.382.00	KIT COND. BRUC.ANT. CUC. 70 VS+D+B		
0104	256.383.00	KIT COND. PIL. POST. CUC. 70 VS+D+B		
0105	256.384.00	KIT COND. PIL. ANT. CUC. 70 VS+D+B		
0106	672.080.00	PILOTE D.4 120		
0107	672.099.00	THERMOCOUPLE		
0108	672.025.00	THERMOCOUPLE L.500		
0109	673.020.00	INJECTOR HOLDER		
0110	672.016.00	AERATION ADJUSTER		
0111	672.010.00	VENTURI TUBE		
0112	672.076.00	CORP BRULEUR "C" D.120		
0113	672.078.00	CHAPEAU DE BRULEUR		
0114	265.054.00	NOZZLE KIT BURNER 3.7 KW		
0115	672.077.00	BOITIER DE BRULEUR		
0116	672.079.00	COUVERCLE BRULEUR		
0117	265.055.00	KIT UGELLI BRUCIATORE 5.5 kW BAC.		
0122	611.383.00	DRIPPING TRAY R.G. BURNERS "C"- "D"		

Mod./Type: 70/40 TPG... - 70/... TP...G...  
90/40 TPG... - 90/... TP...G...

cod./num. 2531667.00

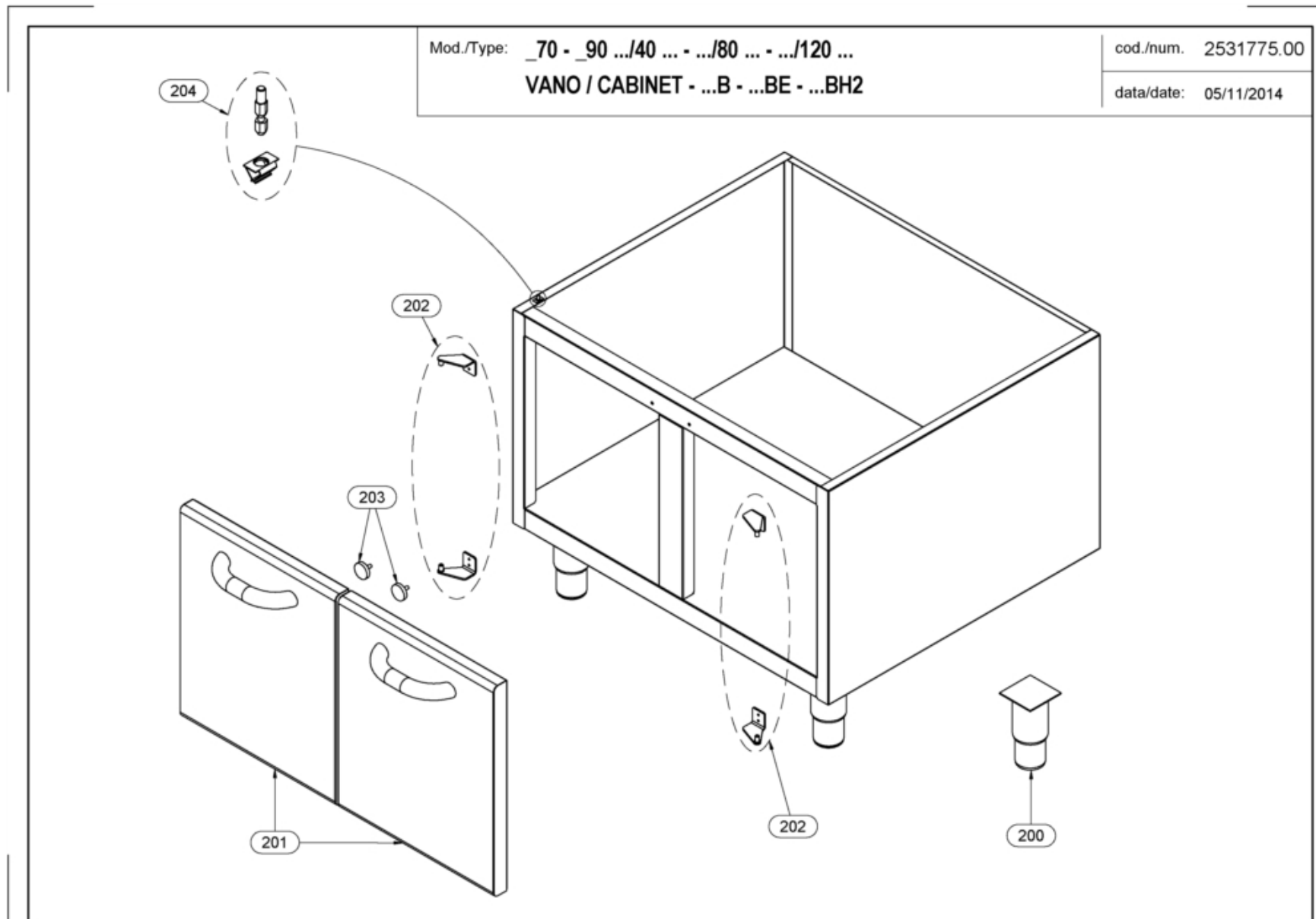
data/date: 13/06/2014





## VUE ÉCLATÉE TOP\_2

Pos.	Réf.	Description	De	À
0150	671.088.00	GAS COCK/SAFETY SC PEL 21S C/C		
0151	256.232.00	KIT COND. GAS EM70 TPPCG+DADI+BIC		
0152	256.233.00	KIT COND. PIL. EM70 TPPCG+DADI+BIC		
0153	672.173.00	PILOT TARGET 0140015		
0154	256.060.00	KIT BOUGIE ALL.M4 ST 0915024+RACC.		
0155	672.025.00	THERMOCOUPLE L.500		
0156	972.044.00	BRUCIATORE CIRCOLARE MULT.GAS 9.3KW		
0157	941.124.00	AERATORE DI10 DE31 6FD6.5		
0158	673.023.00	INJECTOR HOLDER DIAM.10		
0159	673.024.00	NUT M14X1		
0160	265.009.00	KIT UGELLI TPPCG 70 EM		
0161	671.090.00	TAPPO A BRIGLIA RUBINETTO 21S		





## VUE ÉCLATÉE EXTÉRIEUR ARMOIRE/FOUR

Pos.	Réf.	Description	De	À
0200	912.090.14	ASS.PIEDINO 2" H.135 FLANG.78x78x2		
0201	256.380.00	KIT ASS. PORTA VANO M40 PRATIKA		
0202	256.216.00	KIT ASS. CERNIERE X PORTA M40+BOCC.		
0203	984.006.00	MAGNET Ø20XH6 - M5X15 - 10KG		
0204	256.431.00	KIT AGGANCIIO BASE VANO PERNO+MOLLA		